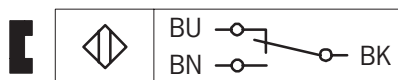


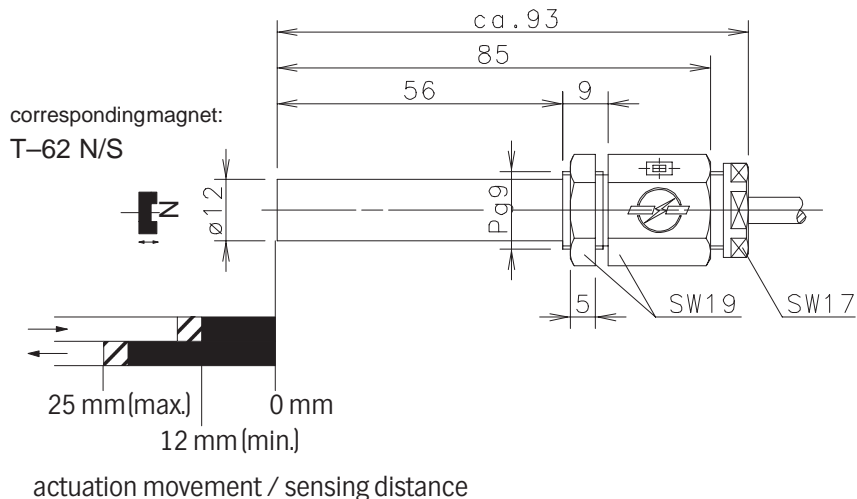
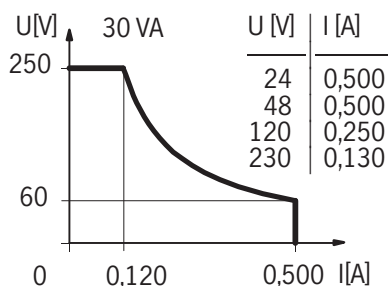
Type: **MAK-2613-K-1**

Part-No.: **631.5326.425**

Wiring Diagram



Switching diagram



Technical Data

Max. Voltage	: 250 V
Max. Switch Current	: 0,5 A
Max. Switching	: 30 VA
Mech. Lifetime	: 3×10^8 switchings, however, according to the load resetability
Repeat Accuracy	: $\pm 0,1$ mm under same geometrical conditions at the same temperature
Temperature range	: -5 °C ... $+70$ °C
Protection	: IP 67 according to IEC 529, EN 60529 (Nema 4)
Output function	: Switch-Over (other functions on request)

Mechanical Features

Housing	: PA 6, red; encapsulated reed contact
Connection	: Cable $3 \times 0,5$ mm ² x 1 m; PVC-Outer jacket, black (other lengths upon request)
Assembly position	: optional (assembly on iron means reduction of switch distance)

Pay attention to the contact protection when switching inductive loads.