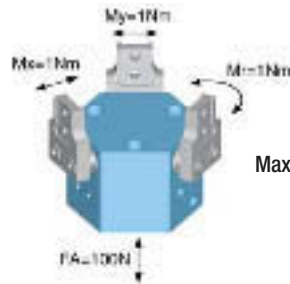
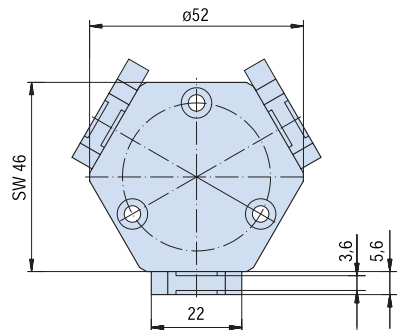
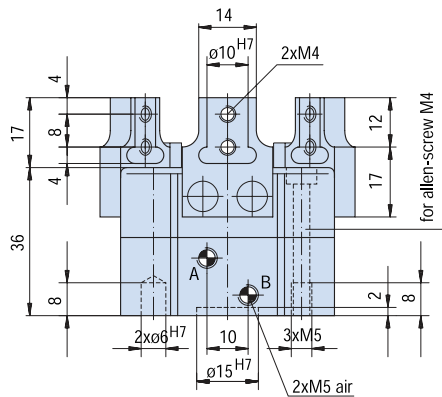
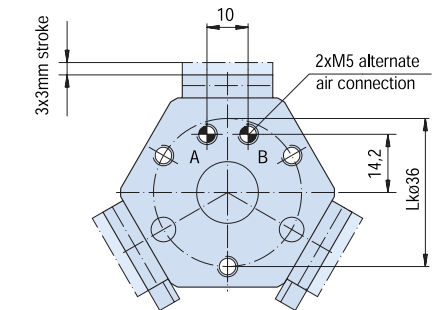


- Sommer-automatic
- Grippers**
- Separators
- Swivel units
- Rotating jaws
- Axial compensators
- Tool changers
- Linear cylinders
- Shock absorbers
- Rotary cylinders
- Air vane motors
- Vacuum components
- Accessories
- Quick finder



Max Allowable Forces on Jaws

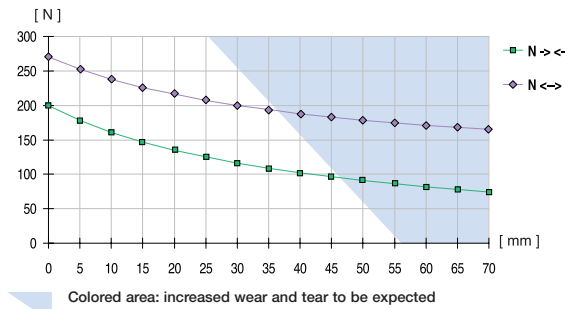


Three-jaw gripper

sealed and rust-resistant

Advantages, benefits, comparisons and tips! Stacks of information all about this product are on page 129.

Gripping force as a function of jaw length



Order no.:			
GD46			
N			
Drive:			
pneum.			
Stroke per jaw [mm]:			
3			
Gripping force in closing [N]:			
200			
Gripping force in opening [N]:			
270			
Self-locking via:			
DSV1/8			
Closing time/opening time [s]:			
0,03			
Repeatability ± [mm]:			
0,1			
Min./max. operating pressure [bar]:			
4/8			
Air volume per cycle [cm³]:			
5			
Min./max. operating temperature. [°C]:			
5/80			
Temp. resistant version up to 150° C [add to part number]:			
T3			
Piston diameter [mm]:			
22			
Weight [kg]:			
0,18			

All data measured at 6 bar.

See Page 129 for Accessory list.