



POSITION SWITCH, METAL-ENCLOSED, SPRING-ACTUATED LOCK, DC 24V, M20 X 1.5

Figure similar

product designation	position switch with tumbler
design of the product	with separate actuator
suitability for use safety switch	Yes
General technical data	
locking force	2 000 N
protection class IP	IP67
reference code according to IEC 81346-2	S
Substance Prohibitance (Date)	07/01/2006
length of the sensor	141.5 mm
width of the sensor	45 mm
Ambient conditions	
ambient temperature	-30 ... +70 °C
• during operation	
number of NC contacts for auxiliary contacts	3
Enclosure	
design of the housing	special design
material of the enclosure	metal
coating of the enclosure	painted
design of the housing according to standard	No
Drive Head	
design of the actuating element	separate actuator
design of the switching function	positive opening
number of directions of actuation	4
circuit principle	slow-action contacts
number of switching contacts safety-related	3
number of NO contacts for auxiliary contacts	1
locking mechanism design	spring-actuated lock
Installation/ mounting/ dimensions	
fastening method	screw fixing
Connections/ Terminals	
type of electrical connection	screw-type terminals
Certificates/ approvals	
General Product Approval	Test Certificates



[Confirmation](#)



[Miscellaneous](#)


[Confirmation](#)

Further information

Information on the packaging

<https://support.industry.siemens.com/cs/ww/en/view/109813875>

Information- and Downloadcenter (Catalogs, Brochures,...)

<https://www.siemens.com/ic10>

Industry Mall (Online ordering system)

<https://mall.industry.siemens.com/mall/en/en/Catalog/product?mfb=3SE2840-0XX00>

Cax online generator

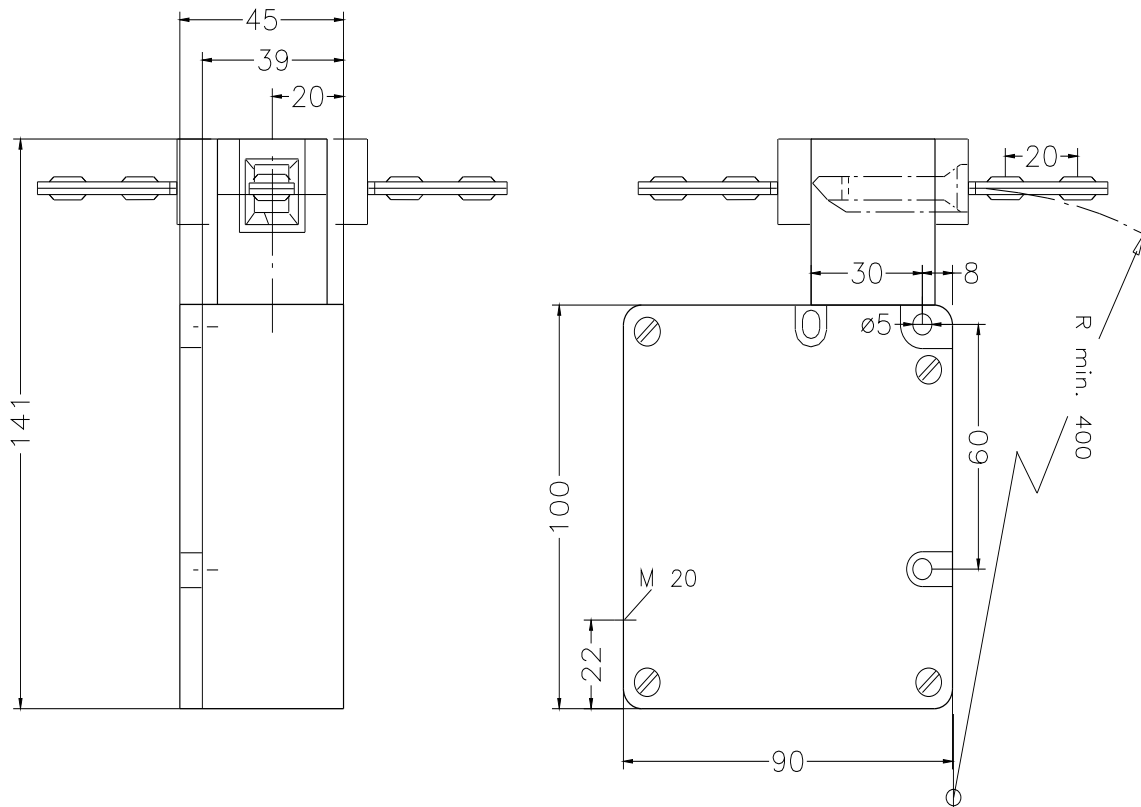
<http://support.automation.siemens.com/WW/CAXorder/default.aspx?lang=en&mfb=3SE2840-0XX00>

Service&Support (Manuals, Certificates, Characteristics, FAQs,...)

<https://support.industry.siemens.com/cs/ww/en/ps/3SE2840-0XX00>

Image database (product images, 2D dimension drawings, 3D models, device circuit diagrams, EPLAN macros, ...)

http://www.automation.siemens.com/bilddb/cax_de.aspx?mfb=3SE2840-0XX00&lang=en



last modified:

1/18/2021